

WHY CHOOSE BTLMS?

- **Reliable Performance**

Accurate and dependable tank level monitoring for effective water management.

- **Effortless Integration**

Seamlessly integrates with existing infrastructure for improved operational control.

- **Smart Insights**

Data-driven insights into usage patterns for efficient resource optimization.

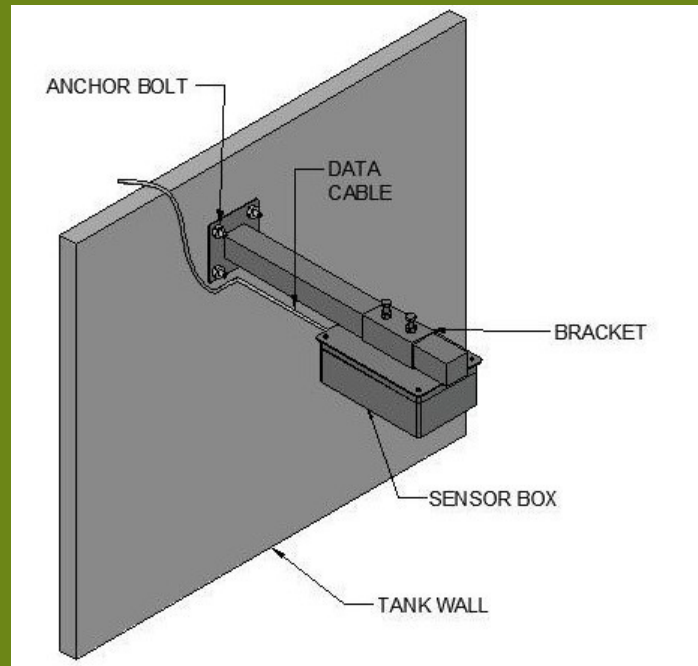
- **Secure & Scalable**

Built with robust security and scalable architecture to grow with your needs.

Technical Specifications:

Solar Power System with Battery	
Nominal voltage	7.4 V DC
Ingress Protection rating	IP68
Capacity	5.0 AH
Max. charging current	2.0 Amp
Max. discharging current	2.0 Amp
Full charge Voltage	12 V
Under voltage cut-off	5.6 V

BTLMS STRUCTURAL ARRANGEMENT:



KEY FEATURES

- **High-Accuracy Level Measurement**
Delivers precise and dependable tank level monitoring.
- **Real-Time Data & Remote Access**
Monitor tank levels anytime through IoT-enabled connectivity.
- **Smart Alerts & Notifications**
Automated alerts for low, high, and critical water levels.
- **Easy Installation & Reliable Operation**
Quick to deploy, low maintenance, and built for long-term performance.

Sensor Specifications:

Parameter	Range
Operating Voltage	8~12V
standby Current	≤5mA
Average Current	≤8mA
Blind Zone Distance	3cm
Ranging Distance for Flat Object	3-450cm
Response Time	100ms
Probe Centre Frequency	40K±1.0K
Operating Temperature	-15~60°C
Storage Temperature	-25~80°C
Sensing Angle	100°
Protection Rate	IP67





BULFRO MONITECH

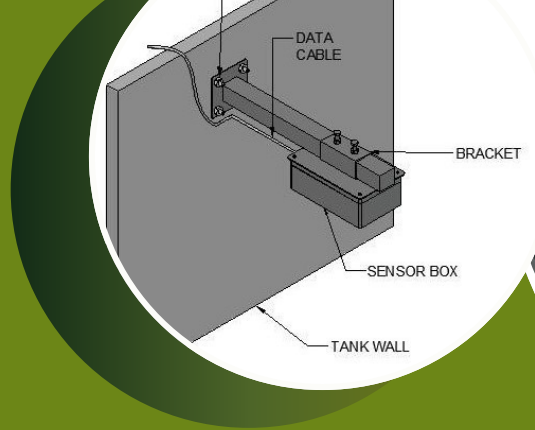
PVT. LTD.

Digital Solutions for water sustainability



Services:

- Product Sales
- Installation
- Data Management and
- Security
- Maintenance
- Legal Compliance



+ 91 845004436
+ 91 7666053957



Sales@bulfro.com
support@bulfro.com



www.bulfro.com



S/n,36/2/1,Near Bhagawati
Boys Hostel,Dhayari-Narhe
Road,Narhe,Pune 411041

BULFRO TANK LEVEL MONITORING SYSTEM (BTLMS)

Technical Brochure

